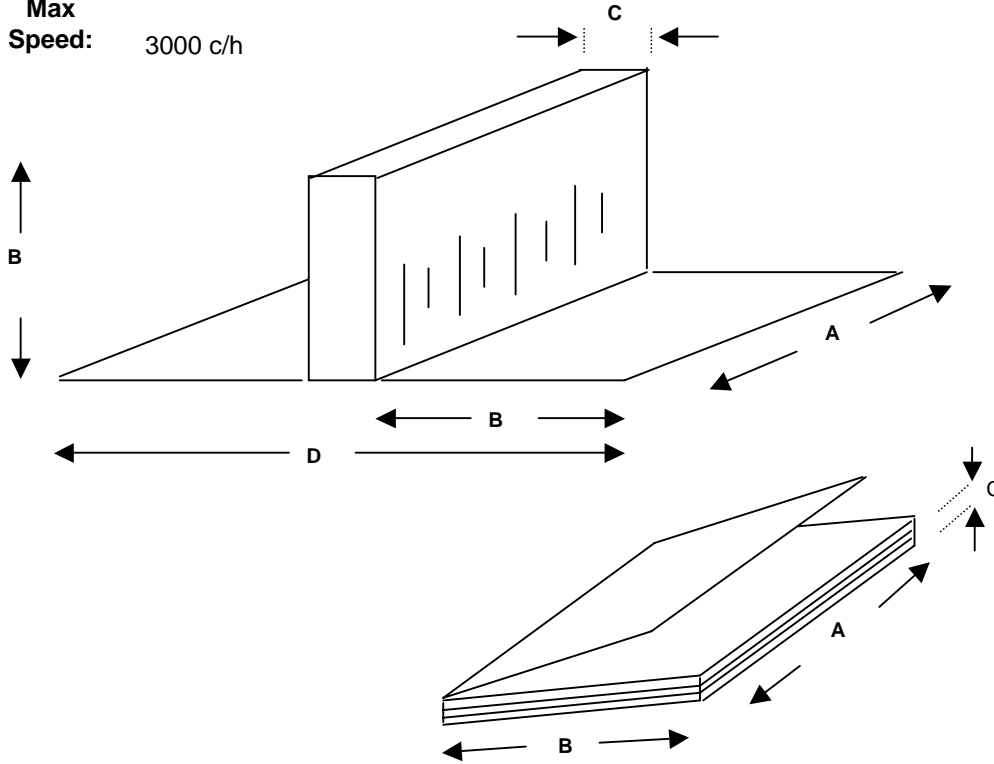


Perfect Binder

Max	Min
mm	mm

Max Speed: 3000 c/h



Cover Size

A	425	140
D	642	302

Book Size

A	420	140
B	305	100
C	60	3

Gather Unit

A	450	120
---	-----	-----

Signature Size

B	320	100
Max 80 pages		
3 mm		

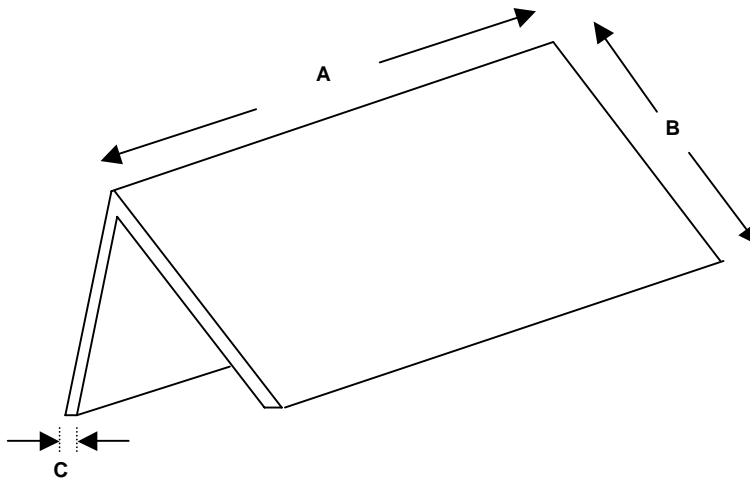
Book Block Feeder

A	510	140
B	305	100
C	40	5

Max product thickness 70 mm

Saddle Stitch (Muller Martini)

Max Speed: 8000 c/h



Max	Min
mm	mm

A - Signature with lap

A	360	148
B	320	105

Max 80pp 3mm

B - Signature without flap

A	350	148
B	290	105

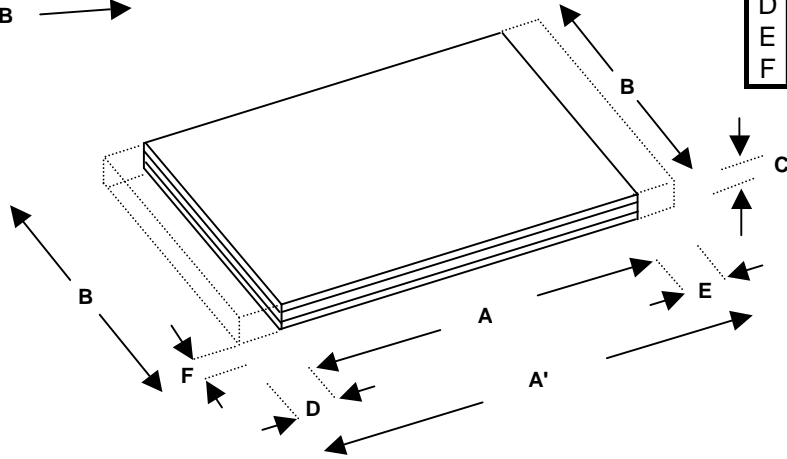
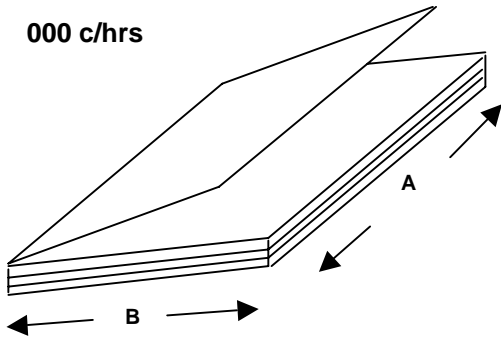
Max 80pp 3mm
Min 4pp

C - Book Size

A	350	148
B	290	105
C	5	-

Three Knife Trimmer

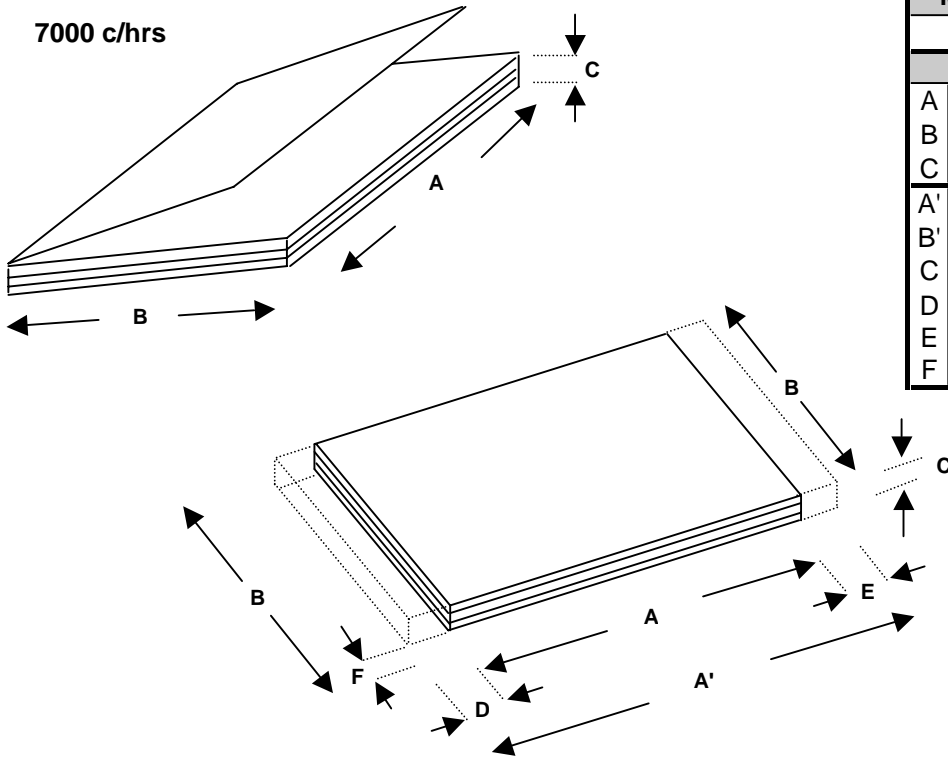
Max
Speed: 000 c/hrs



	Max	Min
	mm	mm
Block Size		
A	414	120
B	310	70
C	70	4
A'	420	110
B'	340	73
C	70	4
D	40	3
E	40	3
F	40	3

Krisc Sewing Machine

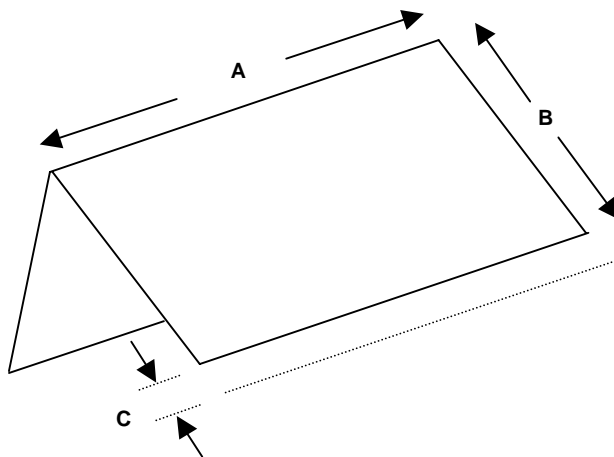
Max Speed: 7000 c/hrs



	Max	Min
	mm	mm
Block Size		
A	414	120
B	310	70
C	70	4
A'	420	110
B'	340	73
C	70	4
D	40	3
E	40	3
F	40	3

Sewing Inventa (Muller Martini)

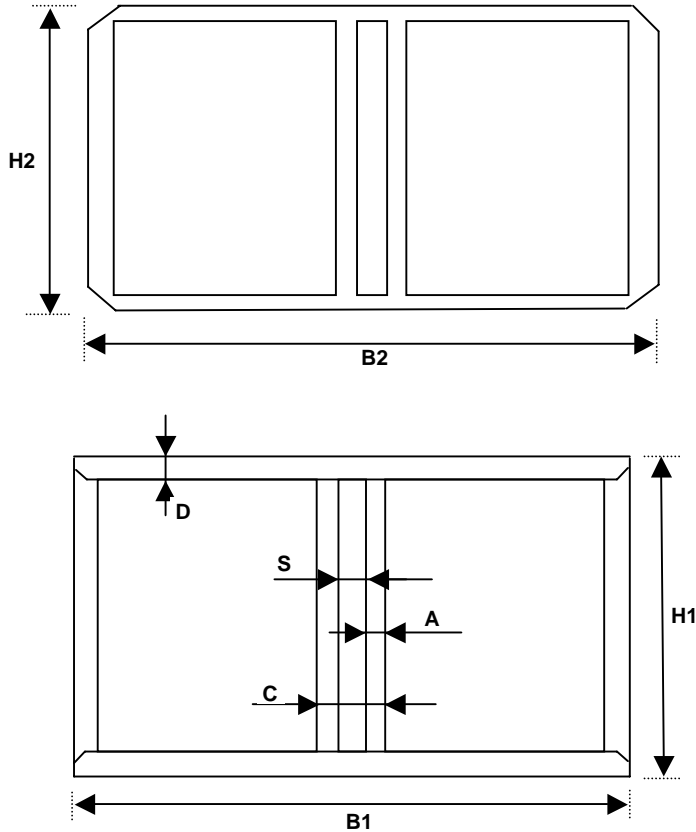
Max Speed: 160 c/min



	Max	Min
	mm	mm
Section Size		
A	370	120
B	305	80
C	60	6

Case Maker

Max Speed:



	Max	Min
	mm	mm
Book Cases		
A	380	100
B	270	100
C	70	5
C	70	5
C	70	5
C	70	5
C	70	5
C	70	5
C	70	5
Joint Width A		
	15	5
Spine Width C		
	100	18
Cover foldover width on all sides D		
	17	12
Paper covers		
80 - 120 g/m ²		
Thickness of the cover material		
0.1 - 0.3 mm (depending on its rigidity)		

Size range of the spine material

From the reel	Min	Max
Width (S) (mm)	6	80
Thickness (mm)	0.3	0.5
From the magazine	Min	Max
Width (S) (mm)	6	80
Thickness (mm)	1	3

* The values for the spine material from the reel greatly depend on the material's resistance to tearing.

* The minimum width trimmed from spine material from the reel is approx. 2.5 mm per side

* The maximum discrepancy in width of pieces is 0.2 mm

Size range of the spine reel

Outer diameter:	max. 500 mm.
Core diameter:	50,75 and 100 mm